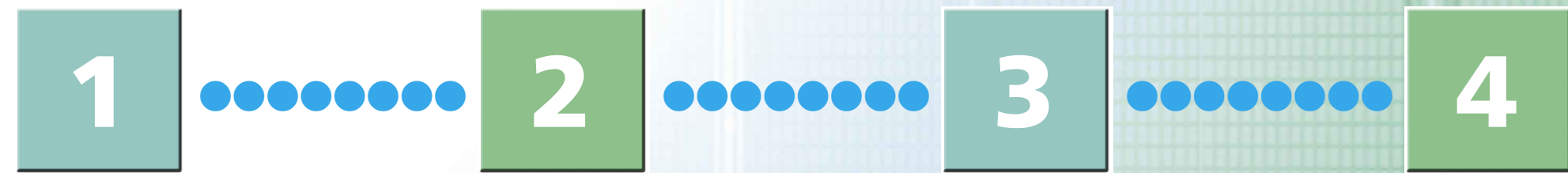


Quick Setup Guide

Please follow the steps to setup your system:



1 Preparing for Use **2 Connecting Your System (See reverse side)** **3 Running Initial Setup** **4 Programming the Remote Control**

If your product is not working properly **DO NOT RETURN TO THE STORE.** For service and technical assistance Call our Customer Information Service Center (Toll Free): 1-800-222-SONY (7669) for US residents. 1-877-899-SONY (7669) for Canadian residents.

• Review the following chart to determine which diagram to use to connect the equipments in your system:

For these equipments	See reverse side
Cable/Antenna Cable Box VCR	A
Cable/Antenna Cable Box Satellite Receiver VCR	B
Cable/Antenna Cable Box Digital Recorder	C
Cable/Antenna Cable Box VCR or Satellite Receiver	D
Cable/Antenna HD Cable Box HD Satellite Receiver VCR	E
Cable/Antenna HD Cable Box VCR or HD Satellite Receiver	F

- See the "Cords Required" chart that appears with the diagram to determine which cords you'll need. You may need to purchase extra accessories, such as cords, depending on the equipments you plan to connect.
- Turn off and unplug all equipments before making connections.

Making Video Connections

Your system includes several types of video inputs. Use the inputs that are available on your equipments that provide the best video performance, as shown in the table on the right.

Best Video Performance	Connector type
	HDMI* (High-Definition Multimedia Interface)
	S VIDEO
	Composite video

* Support 480i, 480p, 720p, 1080i

4 Programming the Remote Control

The remote control is preset to operate Sony brand video equipment.

Sony Equipment	Programmable Code Number
Cable	101 (DVR)
Satellite receiver	201 (DSS)

Follow the steps below to program your system's remote control to operate the other video equipment.

Using the code list below, find the three-digit code number for the manufacturer of your equipment. (If more than one code number is listed, use the number listed first.)



- 1 Press and hold CABLE or SAT (FUNCTION) you want to program and press POWER simultaneously.** The selected FUNCTION button will flash.
- 2 Enter the three-digit manufacturer's code number using the number buttons while the button is lit, approximately 30 seconds.**
- 3 Press ENT.** When the programming is correct, the selected FUNCTION button will flash twice slowly, and when not, flashes five times quickly.

To check if the code works

Aim your system's remote control at the equipment, and press POWER. If the equipment responds, the programming is completed. If not, try the next code listed.

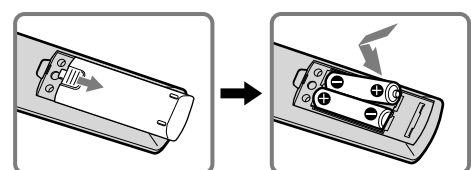
Tips

- If no code is input within the above specified time, or an invalid or incorrect code number is input, the remote control automatically goes back to the previous setting.
- In some cases, you may not be able to program your remote control to operate other equipment. In such cases, use the equipment's own remote control.
- Dead batteries or removing the batteries may cause the programmable codes to be lost and revert back to factory settings. Reprogramming the codes may be necessary.

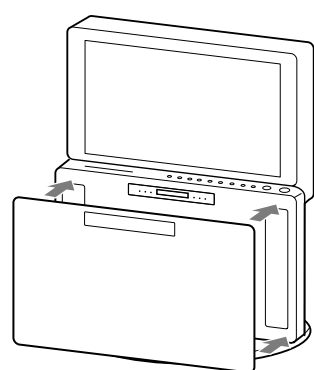
1 Preparing for Use

Inserting Batteries into the Remote Control

Insert two size AA batteries (supplied) by matching the and on the batteries to the diagram inside the remote control's battery compartment.

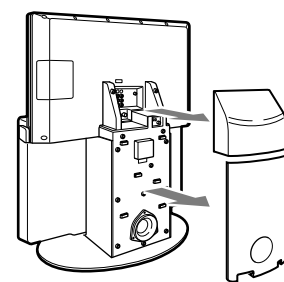


Attaching the frame grille



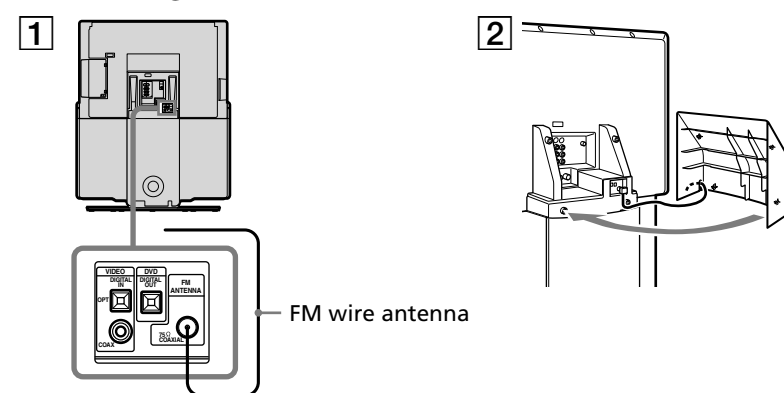
2 Connecting Your System

1 Remove the covers.

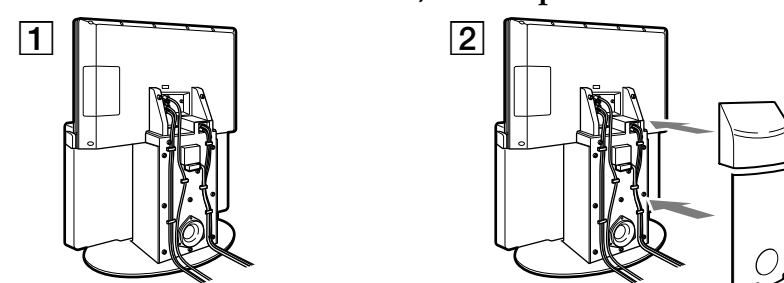


2 See reverse side to connect this system and other equipment.

3 Connecting the FM wire antenna.



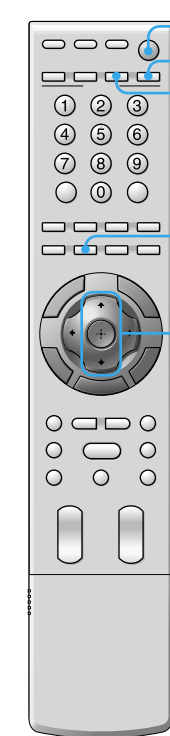
4 Bundle the connected cords, then replace the covers.



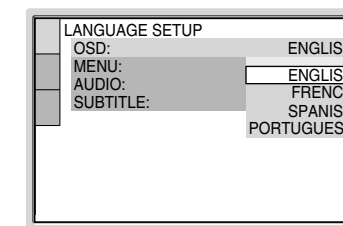
Note

Depending on the connected equipment cords, the back covers may not attach properly. In this case, try other cords, or use the system without the back covers.

3 Running Initial Setup



- 1 Press POWER to turn on the system.** The Initial Setup screen appears.
- 2 Press MONITOR to switch the remote FUNCTION to MONITOR.**
- 3 Press /** to select the monitor language displayed on the menu screens, then press (OK).
- 4 Press DVD (FUNCTION) to switch the remote FUNCTION to DVD.**
- 5 Press DVD (direct input select) to switch the input to DVD.**
- 6 Press (ENTER) without inserting a disc.** The Setup Display for selecting the DVD language used in the on-screen display appears.



- 7 Press /** to select the language, then press (ENTER). The system displays the on-screen display, the menu and subtitles in the selected language.

Manufacturer's Codes

Cable Boxes	
Manufacturer	Code
Sony	101
Hamlin/Regal	123, 123, 125, 126, 127
Jerrold/G.I./Motorola	102, 103, 104, 105, 106, 107, 108, 109, 117, 118, 119, 123, 133
Oak	128, 129, 130
Panasonic	111, 113, 120, 121, 122, 131
Pioneer	113, 116
RCA	132
Scientific Atlanta	110, 111, 112
Tocom/Philips	117, 118
Zenith	113, 114

Satellite Receivers	
Manufacturer	Code
Sony	201
Hitachi	205
General Electric	202
Hughes	204
JVC/Dish Network/Echostar	210
Mitsubishi	209
Panasonic	203
Philips	211
RCA/PROSCAN	202, 208
Samsung	212
Toshiba	206, 207

A

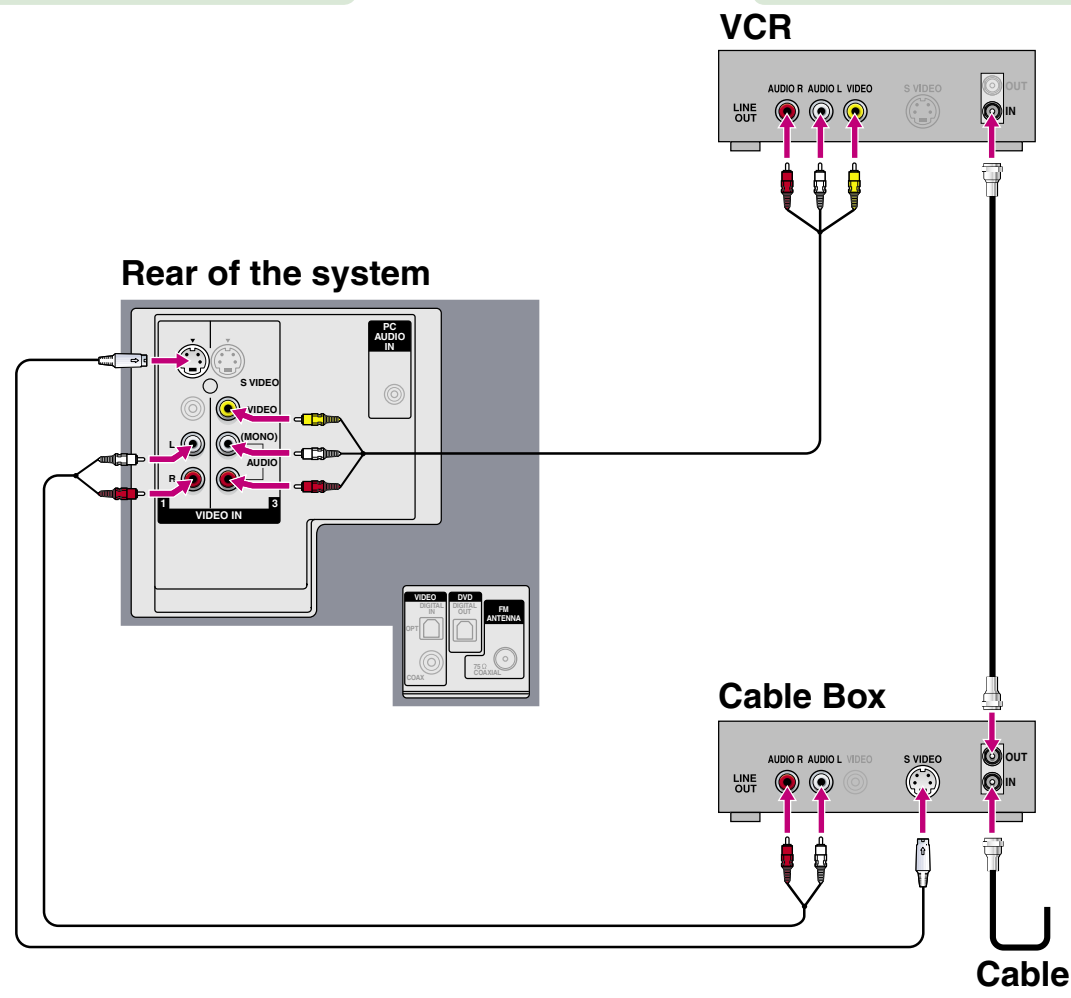
Use this diagram if you have;

Cable/Antenna Cable Box VCR

Cords Required	
RF	1
Video	1
S video	1
Audio	2

If your cable box has an HDMI jack, use that instead of the video connections shown here.

If you are not using a cable box, connect your cable to the VCR's RF IN jack.



B

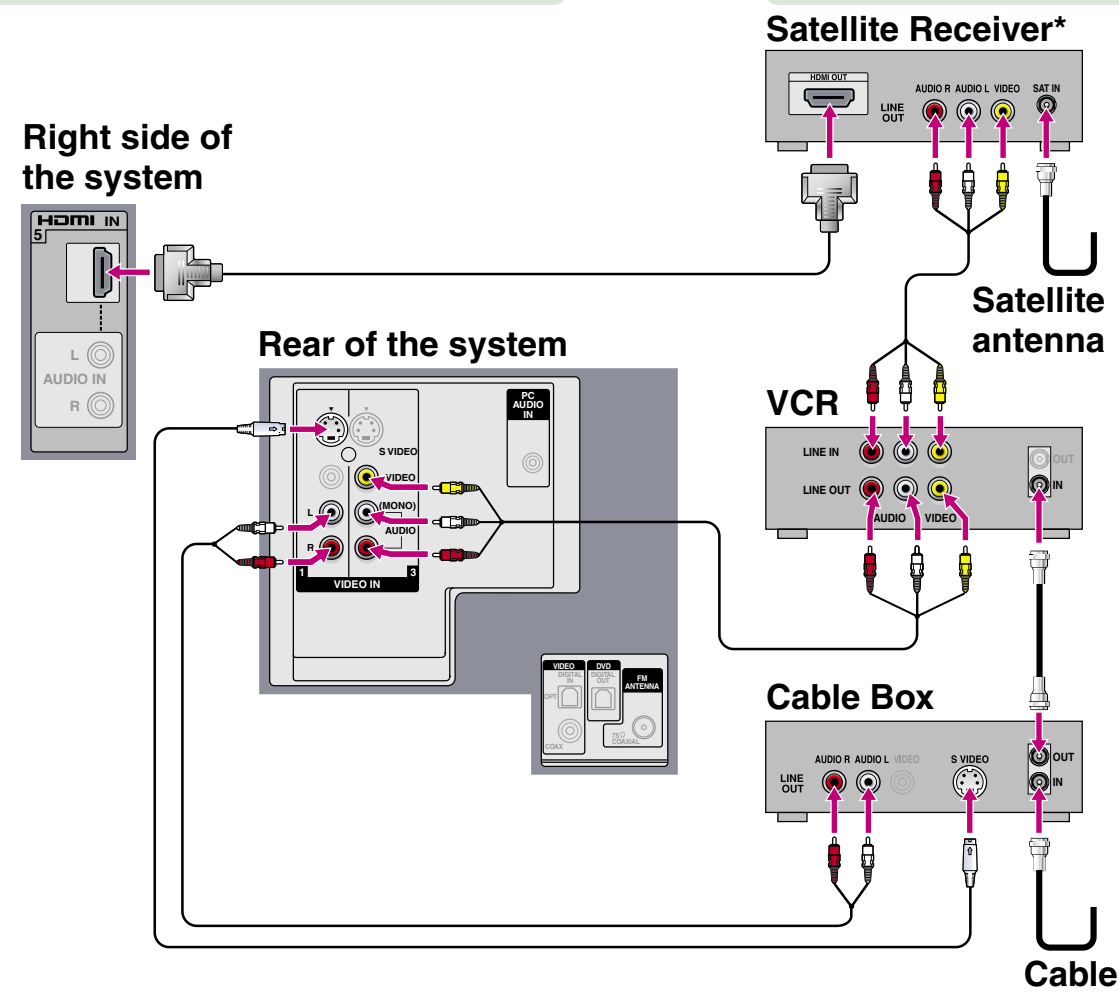
Use this diagram if you have;

Cable/Antenna Cable Box Satellite Receiver VCR

Cords Required	
RF	3
Video	2
S video	1
HDMI	1
Audio	3

The DVI-HDTV VIDEO connector does not provide audio, so audio cables must be connected to provide sound when a DVI to HDMI adaptor is used.

If you are not using a cable box, connect your cable to the VCR's RF IN jack.



C

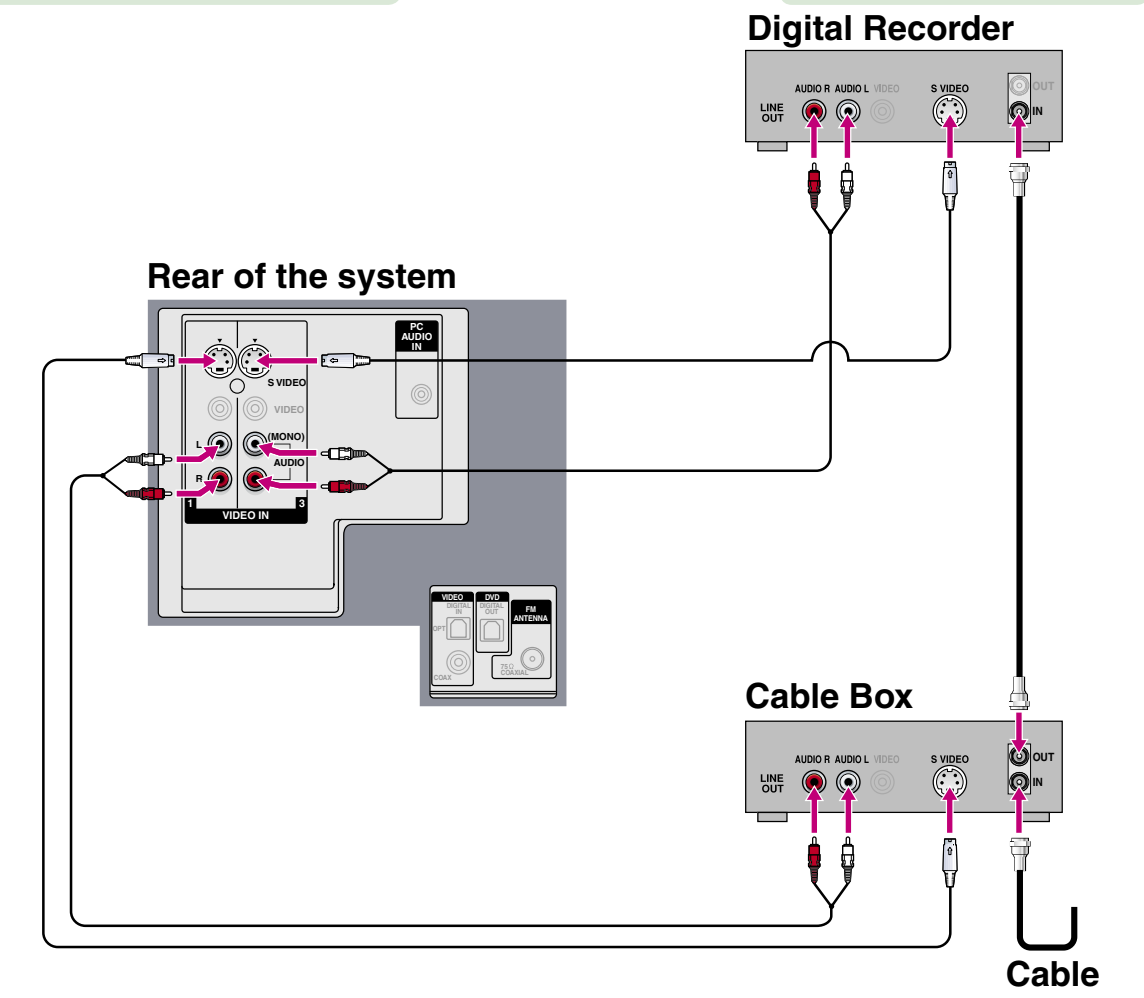
Use this diagram if you have;

Cable/Antenna Cable Box Digital Recorder

Cords Required	
RF	3
S video	2
Audio	2

If your cable box or digital recorder has an HDMI jack, use that instead of the video connections shown here.

If you are not using a cable box, connect your cable to the digital recorder's RF IN jack.



D

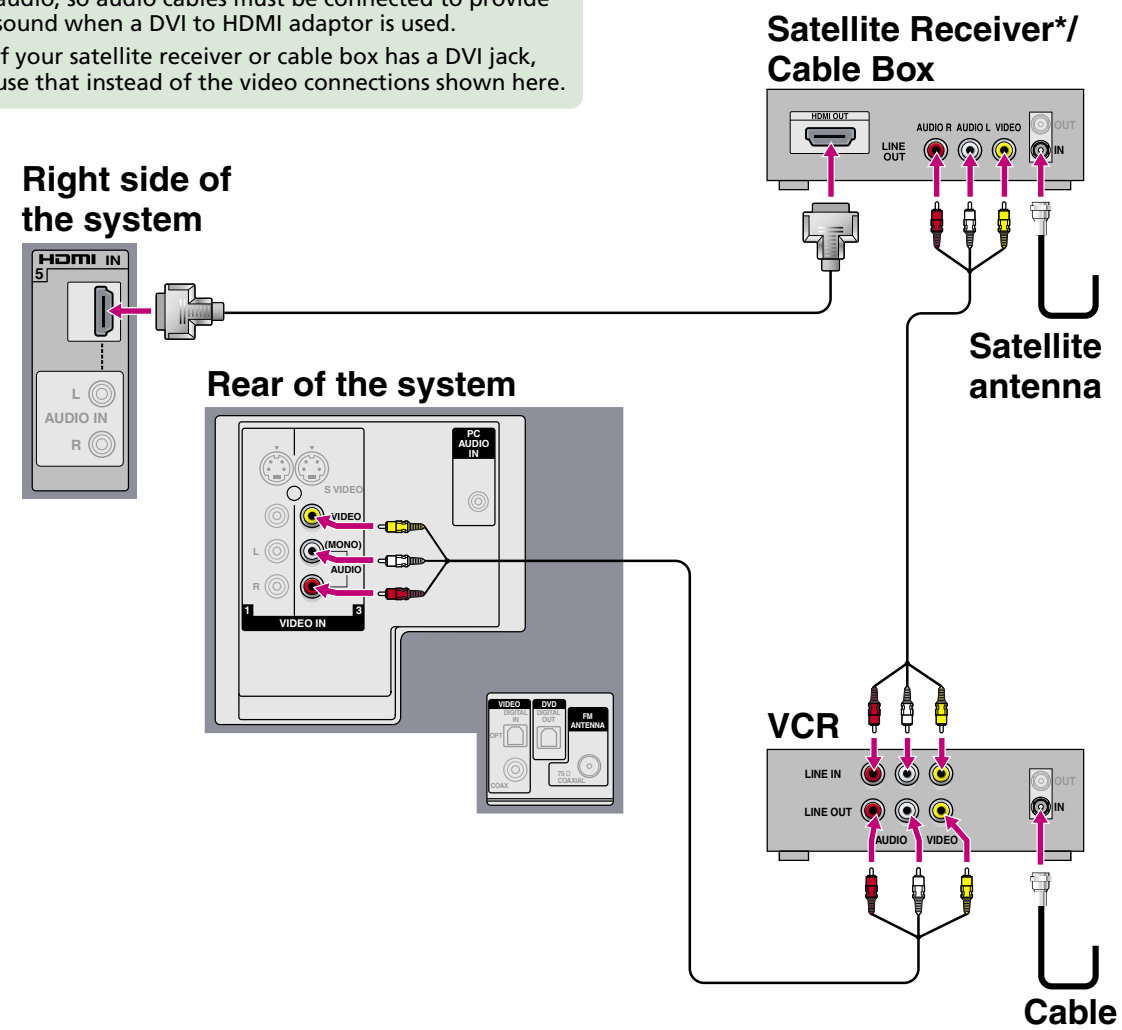
Use this diagram if you have;

Cable/Antenna Cable Box VCR or Satellite Receiver

Cords Required	
RF	2
Video	2
HDMI	1
Audio	2

The DVI-HDTV VIDEO connector does not provide audio, so audio cables must be connected to provide sound when a DVI to HDMI adaptor is used.

If your satellite receiver or cable box has a DVI jack, use that instead of the video connections shown here.



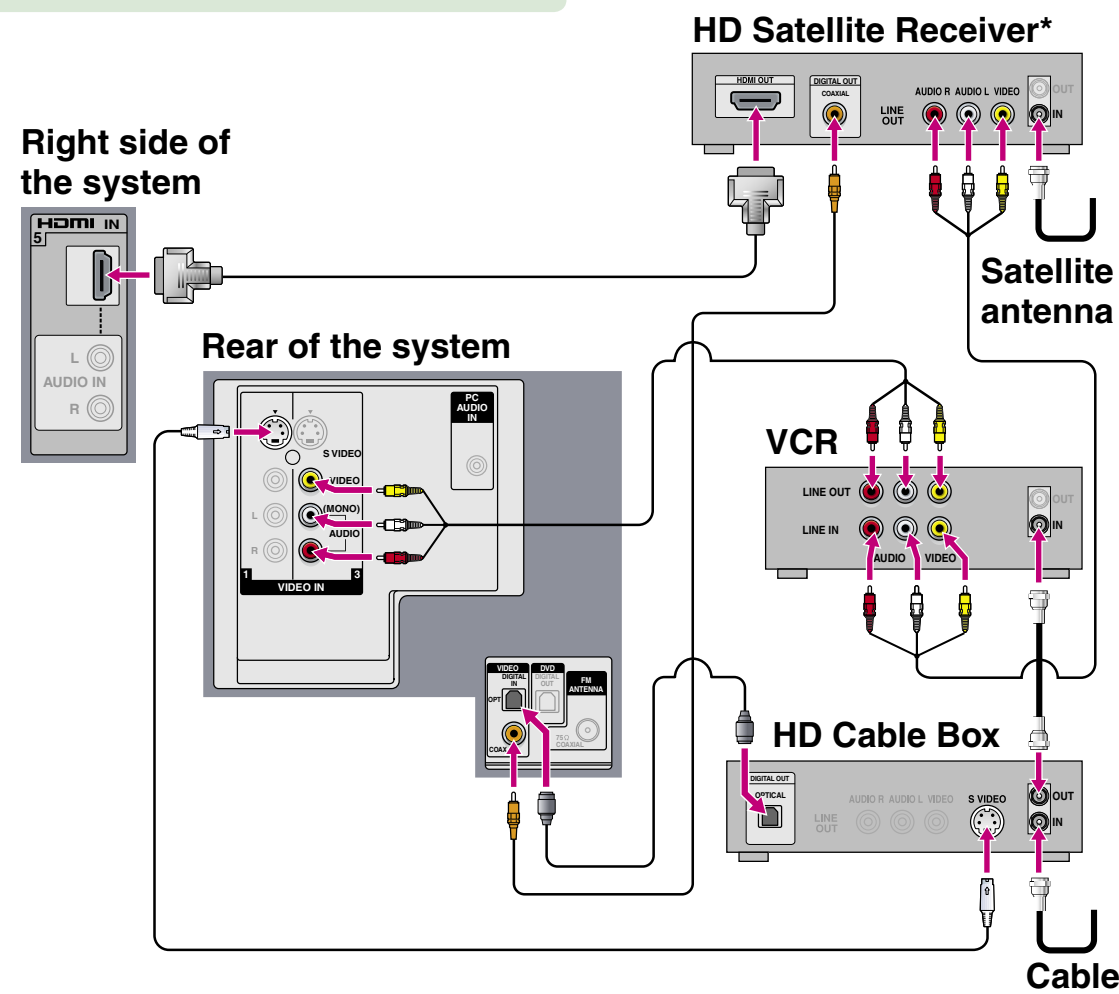
E

Use this diagram if you have;

Cable/Antenna HD Cable Box HD Satellite Receiver VCR

Cords Required	
RF	3
Video	2
S video	1
HDMI	1
Audio	2
Optical	1
Coaxial	1

The DVI-HDTV VIDEO connector does not provide audio, so audio cables must be connected to provide sound when a DVI to HDMI adaptor is used.



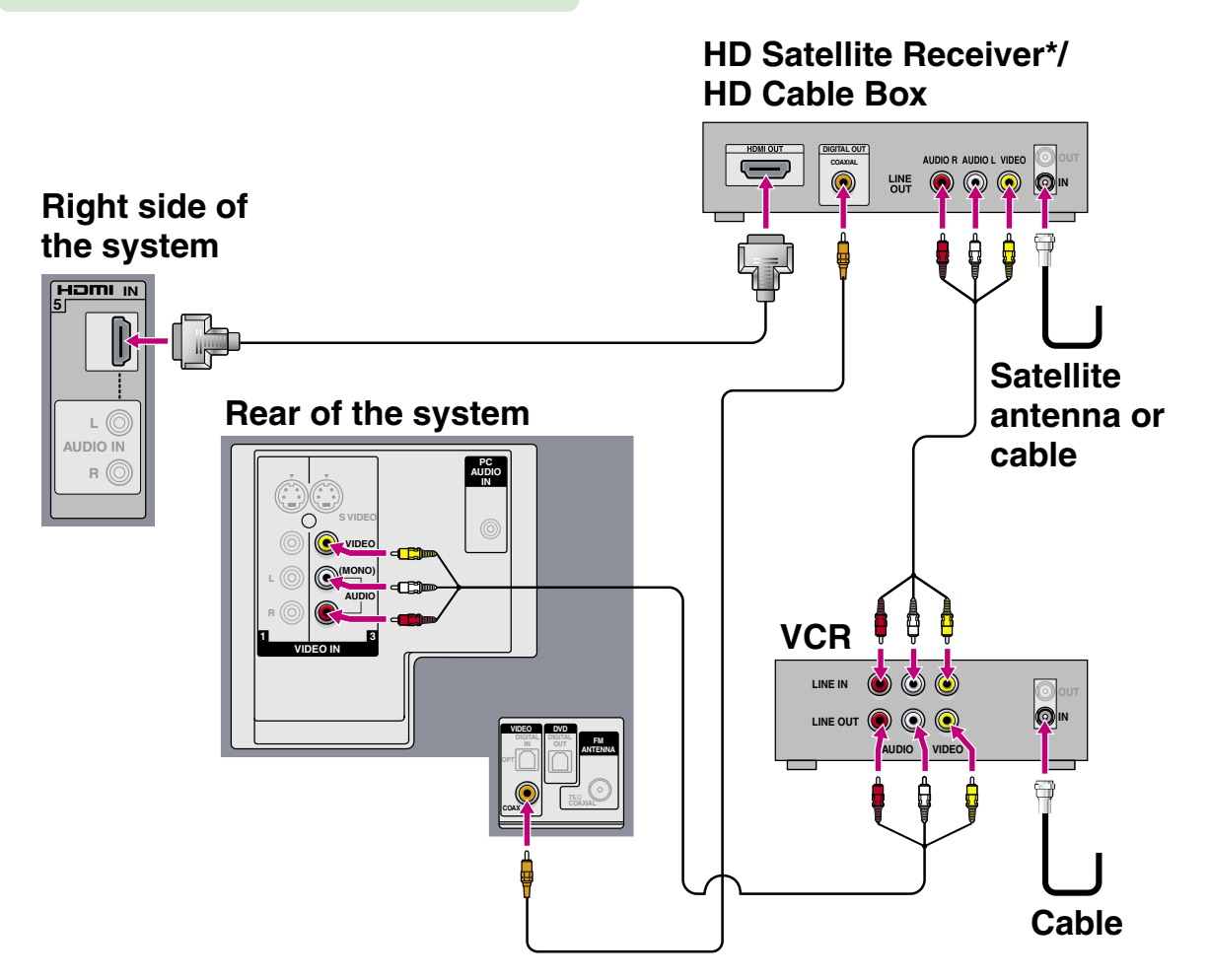
F

Use this diagram if you have;

Cable/Antenna HD Cable Box VCR or HD Satellite Receiver

Cords Required	
RF	2
Video	2
HDMI	1
Audio	2
Optical	1
Coaxial	1

The DVI-HDTV VIDEO connector does not provide audio, so audio cables must be connected to provide sound when a DVI to HDMI adaptor is used.



* Satellite Antenna Cable not shown.